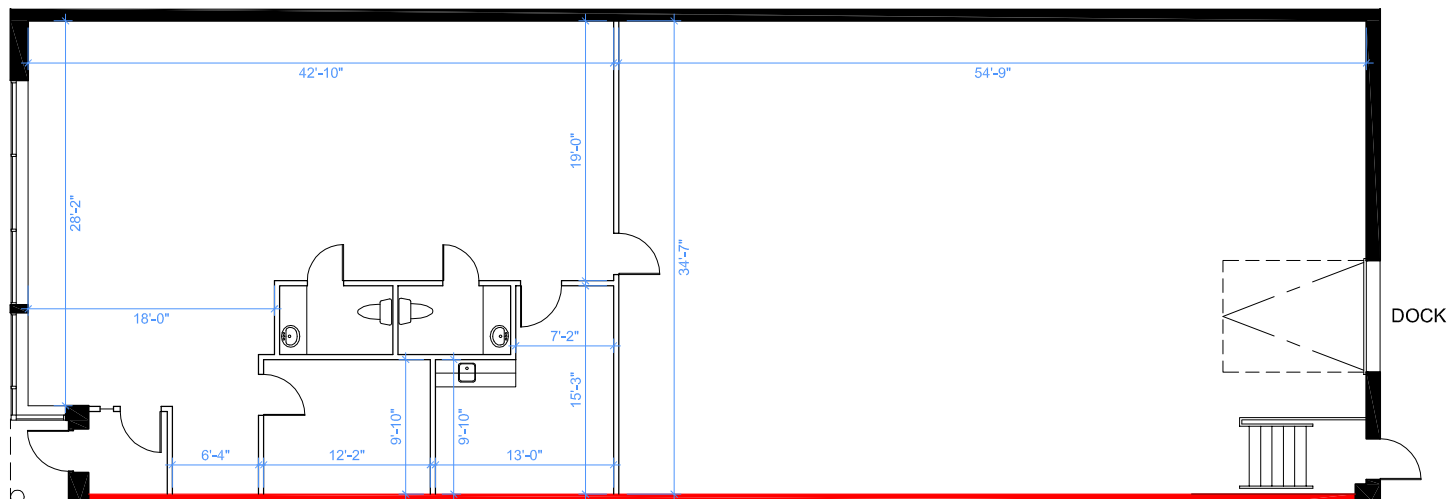


KEY PLAN



AREA SUMMARY

	RENTABLE AREA
OFFICE	1,611 S.F.
WAREHOUSE	2,065 S.F.
TOTAL	3,676 S.F.

WAREHOUSE CLEAR HEIGHT = 18'-2"

DEMISING WALL



AREA CERTIFIED IN ACCORDANCE WITH: BOMA 2019 FOR INDUSTRIAL BUILDINGS, STANDARD METHOD OF MEASUREMENT ANSI / BOMA Z65.2 2019

